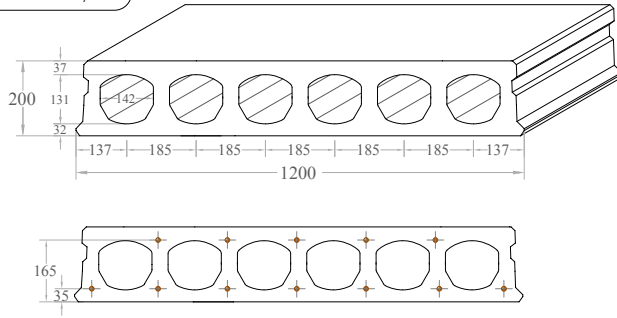


200.0.0.0.0.5-93/2-51



PRODUCTION DIMENSIONS

width - 1200mm
height - 200mm

Date Issued:
March 2008

SELF WEIGHT

Own weight per linear metre 297.17 kgs/ l.m

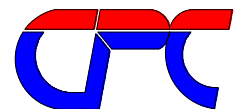
Thickness of Panel - mm	Area mm ²	Centroid mm	Moments of Inertia mm ⁴	Radii of Gyration mm
200	137922	X - 600 Y - 100	I - 6.71x10 ⁸ J - 1.63x10 ¹⁰	X - 69.74 Y - 343.56

PRECAST PRESTRESSED CONCRETE PANELS - SAFE LOAD TABLES

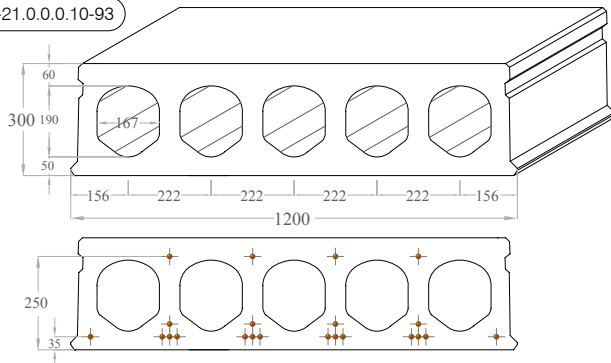
SPAN	SAFE LOAD	MAX. SAFE SHEAR
2.00m (6.56ft)		
2.50m (8.20ft)		
3.00m (9.84ft)	2799.49kg/m ² (573.34lbs/ft ²)	5.04Ton. per Panel
3.50m (11.48ft)	2364.30kg/m ² (484.21lbs/ft ²)	4.97Ton. per Panel
4.00m (13.12ft)	2037.90kg/m ² (417.36lbs/ft ²)	4.89Ton. per Panel
4.50m (14.76ft)	1784.04kg/m ² (365.37lbs/ft ²)	4.82Ton. per Panel
5.00m (16.40ft)	1580.95kg/m ² (323.78lbs/ft ²)	4.74Ton. per Panel
5.50m (18.05ft)	1414.78kg/m ² (289.75lbs/ft ²)	4.67Ton. per Panel
6.00m (19.69ft)	1211.64kg/m ² (248.14lbs/ft ²)	4.59Ton. per Panel
6.50m (21.33ft)	995.88kg/m ² (203.96lbs/ft ²)	4.52Ton. per Panel
7.00m (22.97ft)	824.69kg/m ² (168.90lbs/ft ²)	4.45Ton. per Panel
7.50m (24.61ft)	686.58kg/m ² (140.61lbs/ft ²)	4.37Ton. per Panel
8.00m (26.25ft)	573.55kg/m ² (117.46lbs/ft ²)	4.30Ton. per Panel
8.50m (27.89ft)	479.87kg/m ² (98.28lbs/ft ²)	4.22Ton. per Panel
9.00m (29.53ft)	401.36kg/m ² (82.20lbs/ft ²)	4.15Ton. per Panel
9.50m (31.17ft)	334.92kg/m ² (68.59lbs/ft ²)	4.08Ton. per Panel
10.00m (32.81ft)	278.20kg/m ² (56.98lbs/ft ²)	4.00Ton. per Panel
10.50m (34.45ft)	229.38kg/m ² (46.98lbs/ft ²)	3.93Ton. per Panel

General Precast Concrete Ltd.

Hal Far Industrial Estate, Birzebbugia BBG 3000, Malta
Tel: (+356) 21 653 802, Fax: (+356) 21 659 536
e.mail: info@generalprecastconcrete.com



300.2-21.0.0.0.10-93

**PRODUCTION DIMENSIONS**

width - 1200mm
height - 300mm

Date Issued:
March 2008

SELF WEIGHT

Own weight per linear metre 491.43 kgs/ l.m

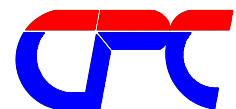
Thickness of Panel - mm	Area mm ²	Centroid mm	Moments of Inertia mm ⁴	Radii of Gyration mm
300	216507	X - 600 Y - 150	I - 2.32x10 ⁹ J - 2.55x10 ¹⁰	X - 103.43 Y - 343.15

PRECAST PRESTRESSED CONCRETE PANELS - SAFE LOAD TABLES

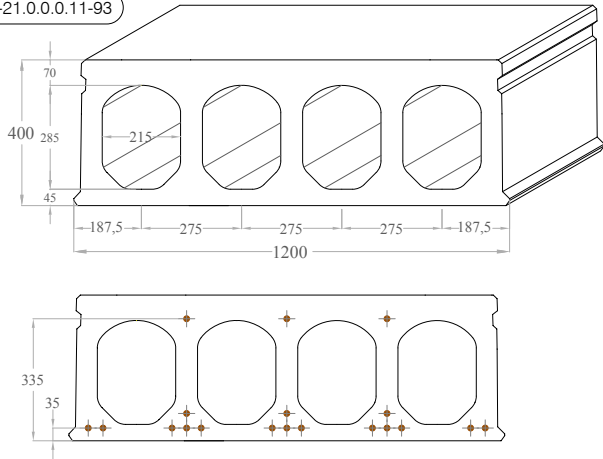
SPAN	SAFE LOAD	MAX. SAFE SHEAR
3.00m (9.84ft)	4981.20kg/m ² (1020.15lbs/ft ²)	8.97Ton. per Panel
3.50m (11.48ft)	4211.10kg/m ² (862.44lbs/ft ²)	8.84Ton. per Panel
4.00m (13.12ft)	3633.52kg/m ² (744.15lbs/ft ²)	8.72Ton. per Panel
4.50m (14.76ft)	3184.29kg/m ² (652.14lbs/ft ²)	8.60Ton. per Panel
5.00m (16.40ft)	2824.91kg/m ² (578.54lbs/ft ²)	8.47Ton. per Panel
5.50m (18.05ft)	2530.87kg/m ² (518.32lbs/ft ²)	8.35Ton. per Panel
6.00m (19.69ft)	2285.84kg/m ² (468.14lbs/ft ²)	8.23Ton. per Panel
6.50m (21.33ft)	2078.50kg/m ² (425.68lbs/ft ²)	8.11Ton. per Panel
7.00m (22.97ft)	1900.79kg/m ² (389.28lbs/ft ²)	7.98Ton. per Panel
7.50m (24.61ft)	1746.77kg/m ² (357.74lbs/ft ²)	7.86Ton. per Panel
8.00m (26.25ft)	1612.00kg/m ² (330.14lbs/ft ²)	7.74Ton. per Panel
8.50m (27.89ft)	1459.81kg/m ² (298.97lbs/ft ²)	7.61Ton. per Panel
9.00m (29.53ft)	1257.88kg/m ² (257.61lbs/ft ²)	7.49Ton. per Panel
9.50m (31.17ft)	1086.98kg/m ² (222.61lbs/ft ²)	7.37Ton. per Panel
10.00m (32.81ft)	941.07kg/m ² (192.73lbs/ft ²)	7.25Ton. per Panel
10.50m (34.45ft)	815.51kg/m ² (167.02lbs/ft ²)	7.12Ton. per Panel
11.00m (36.09ft)	706.67kg/m ² (144.73lbs/ft ²)	7.00Ton. per Panel
11.50m (37.73ft)	611.72kg/m ² (125.28lbs/ft ²)	6.88Ton. per Panel
12.00m (39.37ft)	528.39kg/m ² (108.22lbs/ft ²)	6.75Ton. per Panel
12.50m (41.01ft)	454.86kg/m ² (93.16lbs/ft ²)	6.63Ton. per Panel
13.00m (42.65ft)	389.65kg/m ² (79.80lbs/ft ²)	6.51Ton. per Panel
13.50m (44.29ft)	331.54kg/m ² (67.90lbs/ft ²)	6.39Ton. per Panel

General Precast Concrete Ltd.

Hal Far Industrial Estate, Birzebbugia BBG 3000, Malta
Tel: (+356) 21 653 802, Fax: (+356) 21 659 536
e.mail: info@generalprecastconcrete.com



400.3-21.0.0.0.11-93



PRODUCTION DIMENSIONS

width - 1200mm
height - 400mm

Date Issued:
March 2008

SELF WEIGHT

Own weight per linear metre 569.05 kgs/ l.m

Thickness of Panel - mm	Area mm ²	Centroid mm	Moments of Inertia mm ⁴	Radii of Gyration mm
400	247265	X - 600 Y - 210	I - 4.92x10 ⁹ J - 3.04x10 ¹⁰	X - 141.12 Y - 350.69

PRECAST PRESTRESSED CONCRETE PANELS - SAFE LOAD TABLES

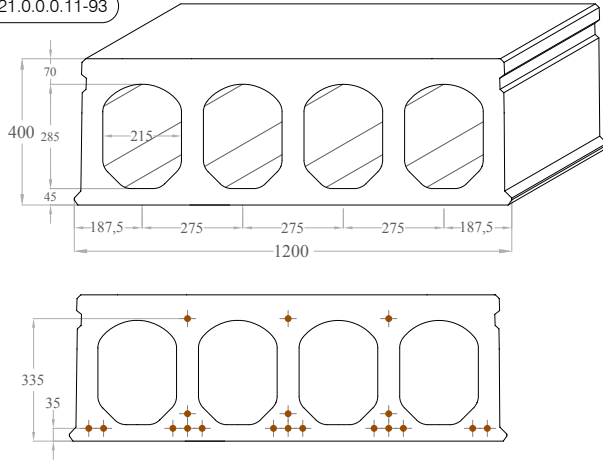
SPAN	SAFE LOAD	MAX. SAFE SHEAR
3.00m (9.84ft)	6507.41kg/m ² (1332.72lbs/ft ²)	11.71Ton. per Panel
3.50m (11.48ft)	5510.04kg/m ² (1128.46lbs/ft ²)	11.57Ton. per Panel
4.00m (13.12ft)	4762.01kg/m ² (975.27lbs/ft ²)	11.43Ton. per Panel
4.50m (14.76ft)	4180.20kg/m ² (856.11lbs/ft ²)	11.29Ton. per Panel
5.00m (16.40ft)	3714.76kg/m ² (760.78lbs/ft ²)	11.14Ton. per Panel
5.50m (18.05ft)	3333.95kg/m ² (682.79lbs/ft ²)	11.00Ton. per Panel
6.00m (19.69ft)	3016.60kg/m ² (617.80lbs/ft ²)	10.86Ton. per Panel
6.50m (21.33ft)	2748.08kg/m ² (562.81lbs/ft ²)	10.72Ton. per Panel
7.00m (22.97ft)	2517.91kg/m ² (515.67lbs/ft ²)	10.58Ton. per Panel
7.50m (24.61ft)	2318.44kg/m ² (474.82lbs/ft ²)	10.43Ton. per Panel
8.00m (26.25ft)	2143.90kg/m ² (439.07lbs/ft ²)	10.29Ton. per Panel
8.50m (27.89ft)	1989.89kg/m ² (407.53lbs/ft ²)	10.15Ton. per Panel
9.00m (29.53ft)	1853.00kg/m ² (379.50lbs/ft ²)	10.01Ton. per Panel
9.50m (31.17ft)	1730.51kg/m ² (354.41lbs/ft ²)	9.86Ton. per Panel
10.00m (32.81ft)	1547.19kg/m ² (316.87lbs/ft ²)	9.72Ton. per Panel

General Precast Concrete Ltd.

Hal Far Industrial Estate, Birzebbugia BBG 3000, Malta
Tel: (+356) 21 653 802, Fax: (+356) 21 659 536
e.mail: info@generalprecastconcrete.com



400.3-21.0.0.0.11-93



PRODUCTION DIMENSIONS

width - 1200mm
height - 400mm

Date Issued:
March 2008

SELF WEIGHT

Own weight per linear metre 569.05 kgs/ l.m

Thickness of Panel - mm	Area mm ²	Centroid mm	Moments of Inertia mm ⁴	Radii of Gyration mm
400	247265	X - 600 Y - 210	I - 4.92x10 ⁹ J - 3.04x10 ¹⁰	X - 141.12 Y - 350.69

PRECAST PRESTRESSED CONCRETE PANELS - SAFE LOAD TABLES

SPAN	SAFE LOAD	MAX. SAFE SHEAR
10.50m (34.45ft)	1359.26kg/m ² (278.38lbs/ft ²)	9.58Ton. per Panel
11.00m (36.09ft)	1196.37kg/m ² (245.02lbs/ft ²)	9.44Ton. per Panel
11.50m (37.73ft)	1054.26kg/m ² (215.91lbs/ft ²)	9.29Ton. per Panel
12.00m (39.37ft)	929.54kg/m ² (190.37lbs/ft ²)	9.15Ton. per Panel
12.50m (41.01ft)	819.49kg/m ² (167.83lbs/ft ²)	9.01Ton. per Panel
13.00m (42.65ft)	721.89kg/m ² (147.84lbs/ft ²)	8.87Ton. per Panel
13.50m (44.29ft)	634.93kg/m ² (130.03lbs/ft ²)	8.73Ton. per Panel
14.00m (45.93ft)	557.12kg/m ² (114.10lbs/ft ²)	8.58Ton. per Panel
14.50m (47.57ft)	487.22kg/m ² (99.78lbs/ft ²)	8.44Ton. per Panel
15.00m (49.22ft)	424.19kg/m ² (86.87lbs/ft ²)	8.30Ton. per Panel
15.50m (50.86ft)	367.17kg/m ² (75.20lbs/ft ²)	8.16Ton. per Panel
16.00m (52.50ft)	315.40kg/m ² (64.59lbs/ft ²)	8.01Ton. per Panel
16.50m (54.14ft)	268.27kg/m ² (54.94lbs/ft ²)	7.87Ton. per Panel
17.00m (55.78ft)	225.24kg/m ² (46.13lbs/ft ²)	7.73Ton. per Panel

General Precast Concrete Ltd.

Hal Far Industrial Estate, Birzebugia BBG 3000, Malta

Tel: (+356) 21 653 802, Fax: (+356) 21 659 536

email: info@generalprecastconcrete.com

